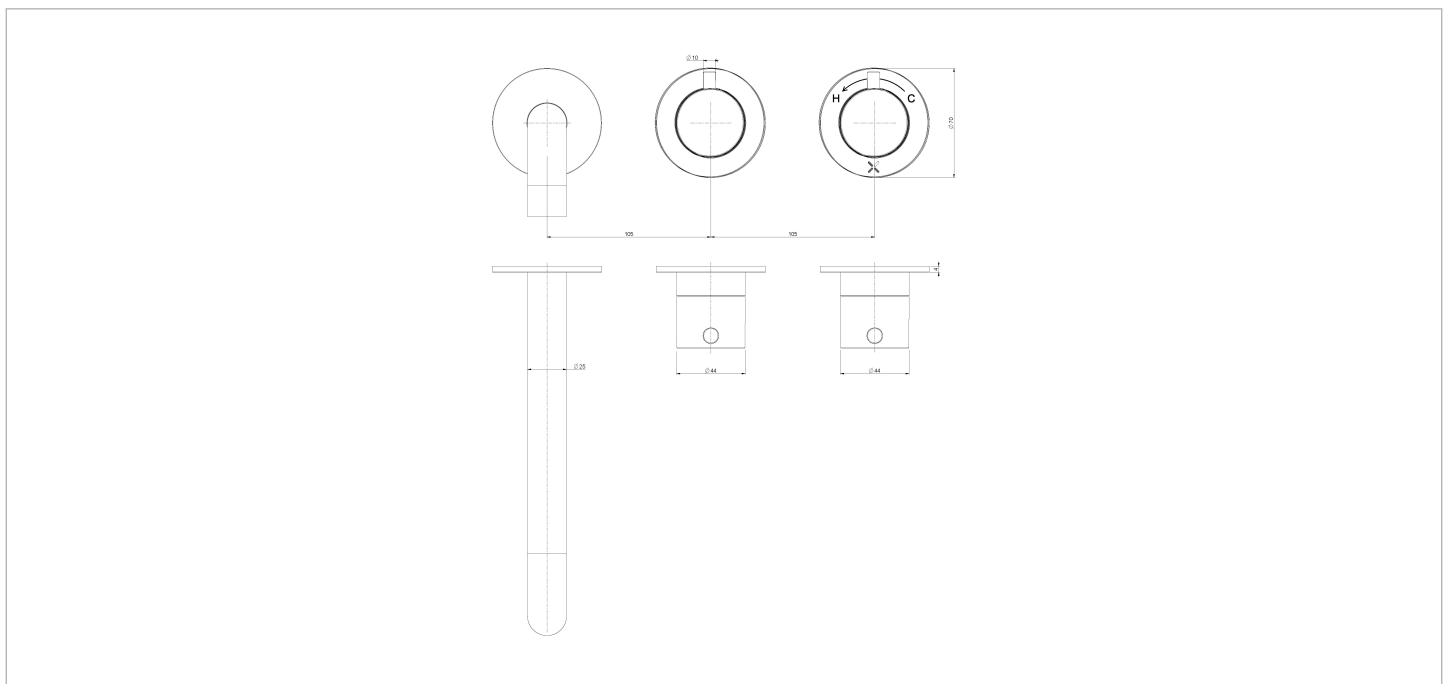


RANGE	INSTALLATION TYPE	PRODUCT DESCRIPTION
Module	Wall	Module 2 Control Trimset Brushed Brass With Bath Spout

CODE	FINISH	APPLICATION	MIN PRESSURE
PROMOD1601LBPF	Brushed Brass	PVD	NA



HEADWORK	NA
CONNECTIONS	NA
APPROVALS	N/A
WARRANTY*	15 Years



RANGE	INSTALLATION TYPE	PRODUCT DESCRIPTION
Module	Wall	Module 2 Outlet Valve With Outlet For Bath Spout Or Handshower

CODE	FINISH	APPLICATION	MIN PRESSURE
MOD1701R	N/A	N/A	1.0 bar



HEADWORK	Thermo cartridge + flow control/s
CONNECTIONS	G1/2" - G3/4"
APPROVALS	N/A
WARRANTY*	15 Years

